

ROE
CREATIVE DISPLAY



Black Marble BM5

Brilliant LED At Your Feet

IN- & OUTDOOR LED PANELS

Smart Design - Enhanced Features

The Black Marble BM5 panels measure 600*600mm and have a 5.769 mm pixel pitch, these features make it possible to combine the BM5 LED floor with other LED modules, keeping the same resolution.

The Black Marble BM5 offers enhanced options, like an anti-moiré finish, for a better in-camera performance, a wide viewing angle and fully integrated interactivity.



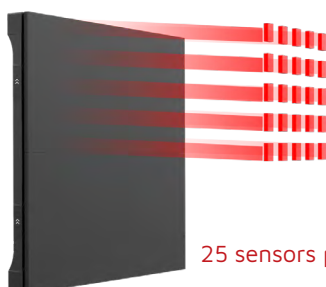
BM5 with Anti-moiré finish

Powerful Interactivity

The BM5i panels have embedded optical sensors that detect when they have been activated by a foot, hand or really anything that you'd like to place on the interactive panels. High-resolution tracking on the BM5i floor, with 100 sensors per panel and multi-tracking on small surfaces make the interactivity a powerful tool.

The fast response time of 33 milliseconds and real-time data traffic to the content server make the experience unforgettable.

The BM5i panels use a Brightlogic processor, 2 receiver cards per panel control the interactivity and the display. Mix-and-match with standard BM5 panels is possible, using the same receiver cards. Data access is easy, making linking to Notch or your lighting controls a breeze.



25 sensors per module



Even Greater Visuals with the Perfect Finish

With a 5.7mm pixel pitch the LED panels offer excellent visual qualities

Black Marble

BM5 & BM5i LED

panels are designed to offer creative solutions for any floor or stage.

With its enhanced options, like the anti-moiré finish on the BM5 and added interactivity on the BM5i, these panels are an ideal solution for broadcast, live music, corporate events and a variety of other applications.

The Black Marble LED panels are well-suited to create an immersive experience on floors, walls, multi-level stages or stairs.

Matte Finish

A non-reflective LED panel, ideal for broadcast and live events



Deep Black Finish

A stylish glossy panel offering a true, deep black color, for a high-tech design look and feel, ideal for retail, architectural and exhibition applications

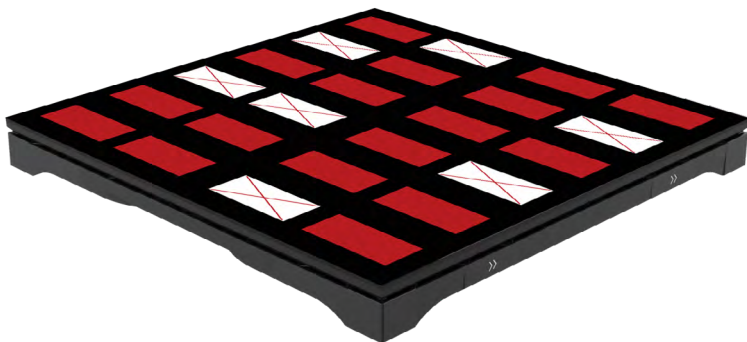


Create Visual Illusions Beyond Your Imagination

Black Marble BM5 & BM5i Brilliant LED at your feet

Fast and Easy Set-up

All support options are easy and fast to install. Using a minimum number of tools, you can reduce assembly time and save on labor costs.

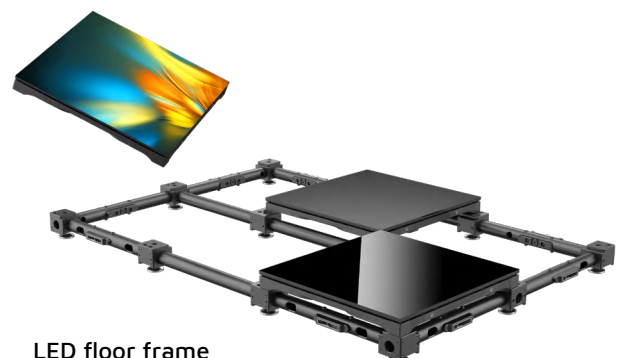


Automatic Calibration

The control system for the BM5i, constantly calibrates the floor surface to make sure it only reports back actual touches and neglects transients, such as dirt, dust, chairs or other foreign objects.

Versatile System

Like the Black Marble BM4, the BM5 & BM5i LED panels can be built as LED floor, LED wall, stairs and multi-level stages. This thought-through integrated system is very easy to install and enables users to use their creative applications freely.





Top access for easy module maintenance.



IP 65 rating, outdoor use and wet cleaning to keep your floor in pristine condition, is easy.



Safety first, max. loading 2000kg/m²



Support Frame

Guaranteeing a safe and sturdy floor support. The floor is designed to take a load of 2000 kg/m².



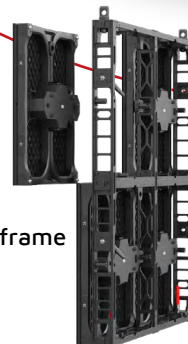
Safe Access - antislip surface on all LED panels.



Magnetic Modules, easy module swapping



LED stair /multi- level frame



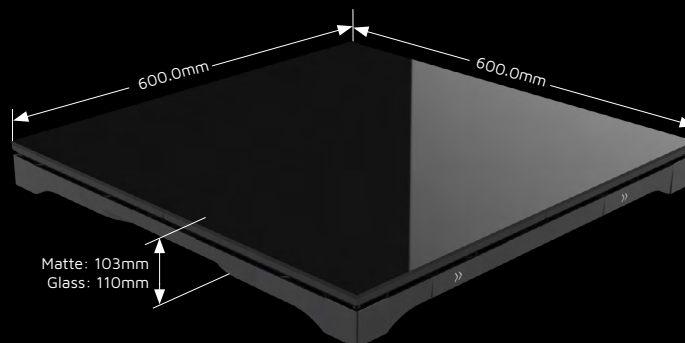
LED wall frame

Specifications

Black Marble	BM5-PC Matte	BM5-Glass
Pixel Pitch	5.77mm	5.77mm
Max Brightness Calibrated	2000nits	800nits
Panel Dimension	600mm x 600mm x 103mm 23.6" x 23.6" x 4.1"	600mm x 600mm x 110mm 23.6" x 23.6" x 4.3"
Panel Resolution (H x V)	104 x 104	104 x 104
Panel Weight	13.5kg; 29.76lbs	18.3kg; 40.35lbs
Power Consumption Max / Average	270W / 135W	270W / 135W
BTU Max / Average	920 / 420	920 / 420
Transparency	Solid	Solid
Serviceability	Front	Front
LED Configuration	SMD 1921 White	SMD 1921 White
Viewing Angle Horizontal	140°	140°
Scan Ratio	1/4	1/4
Refresh Rate	3840Hz	3840Hz
Gray Scale	14bit	14bit
Frame Material	Magnesium Alloy	Magnesium Alloy
Processing Platform	Brompton / Evision	Brompton
Operational Temp / Humidity	-20°- 45°C, 10-90%RH -4°-113°F, 10-90%RH	-20°- 45°C, 10-90%RH -4°-113°F, 10-90%RH
Storage Temp / Humidity	-40°- 60°C, 10-90%RH -40°-140°F, 10-90%RH	-40°- 60°C, 10-90%RH -40°-140°F, 10-90%RH
IP Rating	Outdoor	Outdoor
Certifications	CE, ETL, FCC, WEEE	CE, ETL

Notes: The specifications are for reference, actual values may vary.

Dimensions



www.roevisual.com

ROE China | ROE US | ROE EU | ROE UK | ROE JP | ROE ME | ROE AUS

roe@roevisual.com